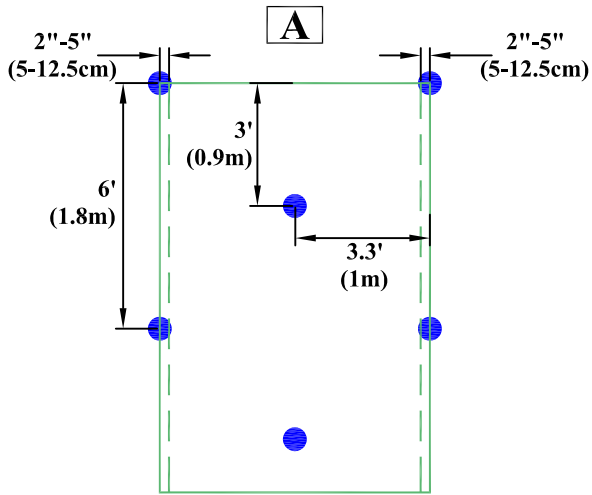
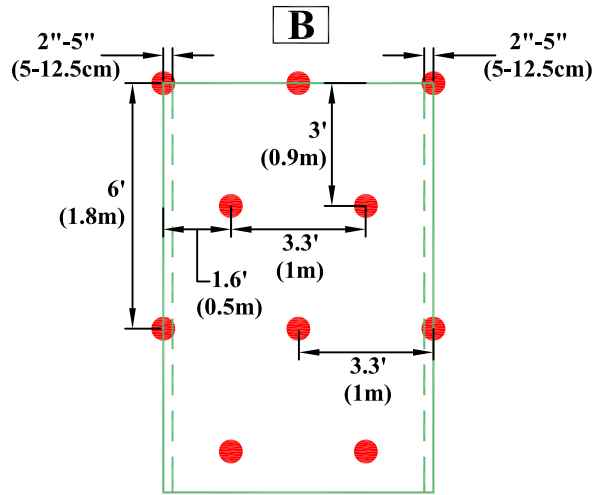


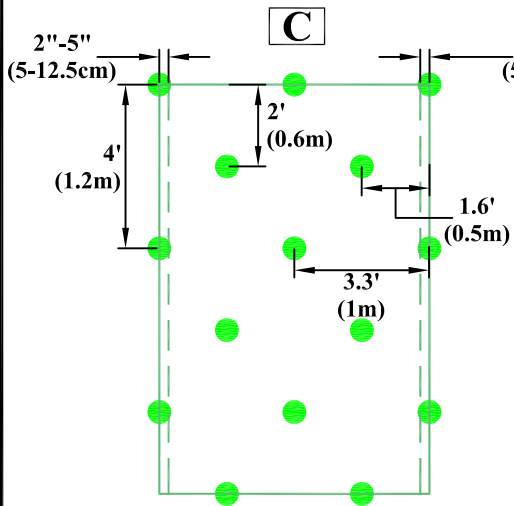
# STAPLE PATTERN GUIDE



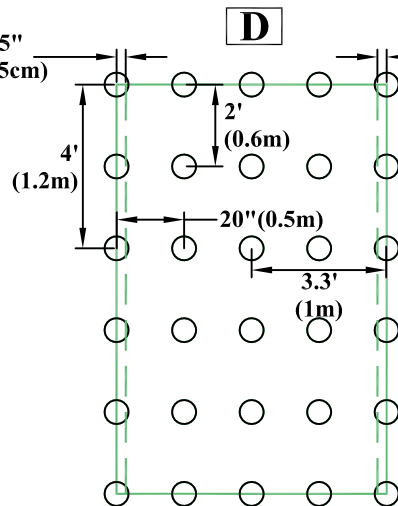
0.7 Staples per SQ.YD.



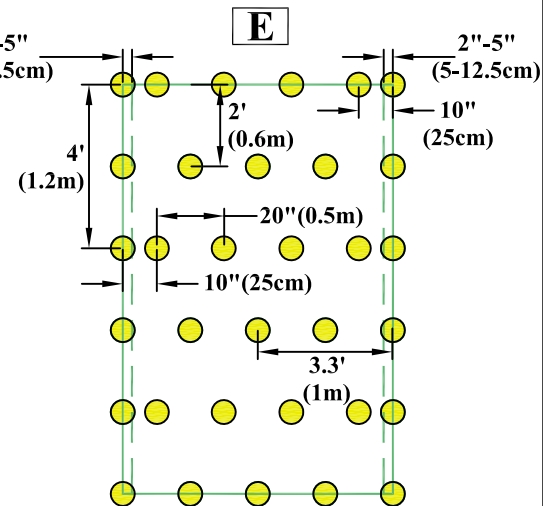
1.15 Staples per SQ.YD.



1.7 Staples per SQ.YD.



3.4 Staples per SQ.YD.



3.75 Staples per SQ.YD.

- 4:1 Slopes (A)
- 3:1 Slopes (B)
- 2:1 Slopes (C)
- 1:1 & Steeper Slopes (D)
- Medium/High Flow Channel (D)
- High Flow Channel And Shoreline (E)

## NOTES:

\* Use ECMDS<sup>®</sup> for more accurate staple pattern selection.

**Tensar.**

**NORTH AMERICAN GREEN<sup>®</sup>**

5401 St. Wendel - Cynthiana Rd.  
Poseyville, IN 47633

PH: 800-722-2040  
www.nagreen.com

## Disclaimer:

The information presented herein is general design information only. For specific applications, consult an independent professional for further design guidance.

Drawn on: 3-16-11

Drawing Not To Scale